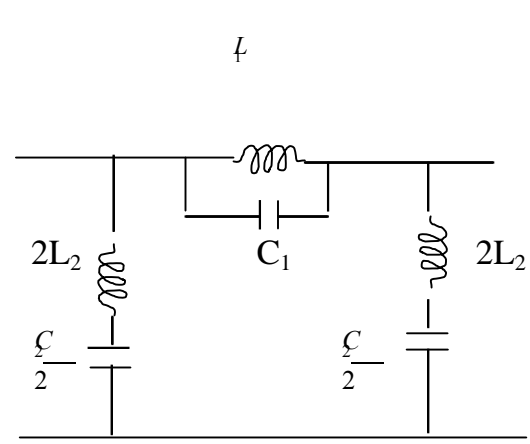
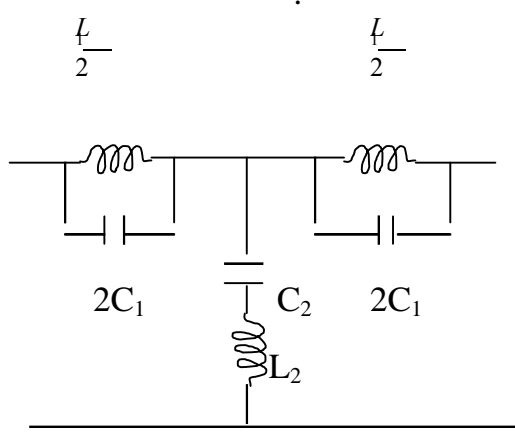


- 9:

. - 2013. - .2, .2 - .58-59

1

a)



a)

)

1 cype .

(), :

$$\frac{1}{\frac{1}{j\omega L} + \frac{1}{j\omega C}} = \frac{j\omega L j\omega C}{1 + j\omega L j\omega C} = \frac{-\omega^2 LC}{1 - \omega^2 LC}$$

$$\frac{j\omega L}{1 - \omega^2 LC} = \frac{j\omega L}{1 - \omega^2 LC}$$

$$\frac{j\omega C}{1 - \omega^2 LC} = \frac{j\omega C}{1 - \omega^2 LC}$$

:

$$\frac{\partial Y}{\partial X} = \frac{\text{---}}{\text{---}}$$

$$\frac{\partial Y}{\partial X} = \frac{\text{---}}{\text{---}}$$

: . .